



REVISION & REPAIR OF TIMPANI N°2:

Quote request form

Please complete the information below so that we can send you a quote:

① INFORMATION ON THE N°2 TIMPANI TO REPAIR/OVERHAUL

Brand

Model

Year or age

Condition Playable Not playable

Bowl diameter *If in doubt, please complete page 2.*

Skin

Type of problem (s)

<i>Sound:</i>	<i>Aesthetic:</i>
Broken skin/torn	Debossed bowl
Sound interference	Pitted / rusty chrome
<i>Shape/Mechanism:</i>	
Pedal blocked	Missing or broken parts (letters, gauge, tuning rod, tie rod, eyelet on circle ...)
Cracked strut	<i>Please give details in the additional information</i>
Worn or non-functional casters	

Other:

Desired intervention date

Attached photo (s) *If you wish to send us pictures of the timpani, please remember to include them in the sending email.*

② TRANSPORT

We control the entire logistics chain, from collection to delivery of the timpani.

If you don't have flight cases, we can send you returnable protective boxes suitable for the transport of the timpani.

Price upon request.

By the customer

By Rythmes & Sons
in Rythmes & Sons returnable cardboards

By Rythmes & Sons
in the customer's flight cases

③ YOUR CONTACT DETAILS

Customer N. (if known)

Company name

Last/First Name *

Address

Zip code *

Country *

E-mail *

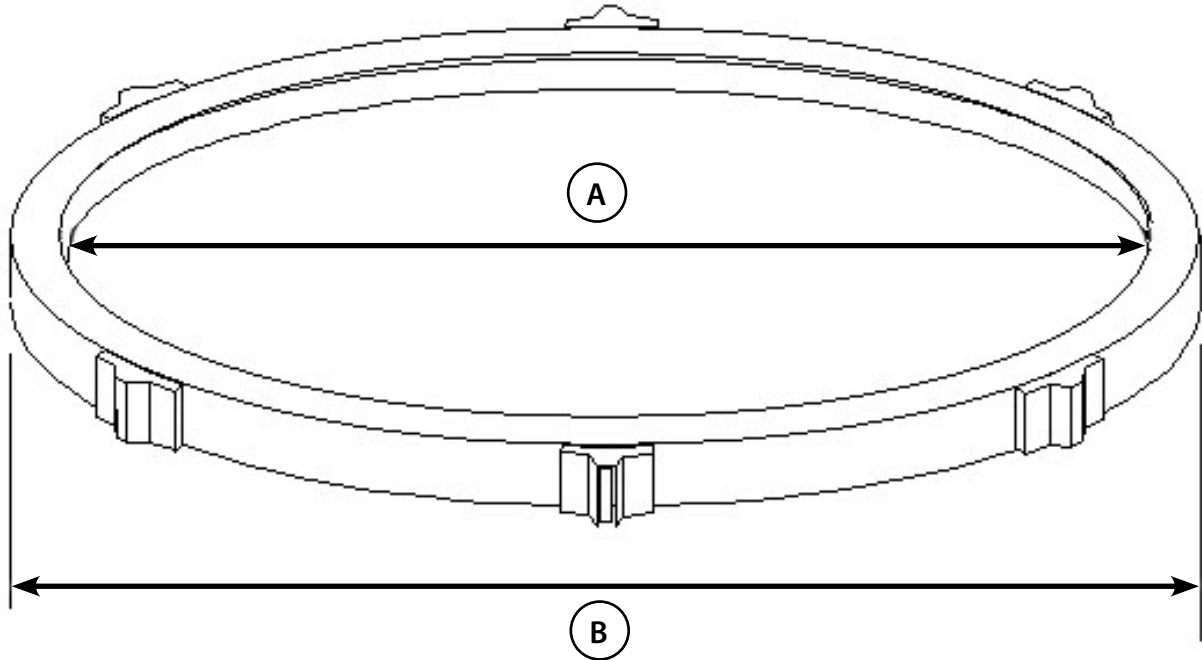
Phone

④ FURTHER INFORMATION

SIZE OF A TIMPANI SKIN

If you do not know the shell size, please complete the document below to help us determine the size of a timpani skin:

SKIN TENSION CIRCLE



- A** Dimension between edge of the circle (cm) :
- B** Outer dimension of the circle (cm) :