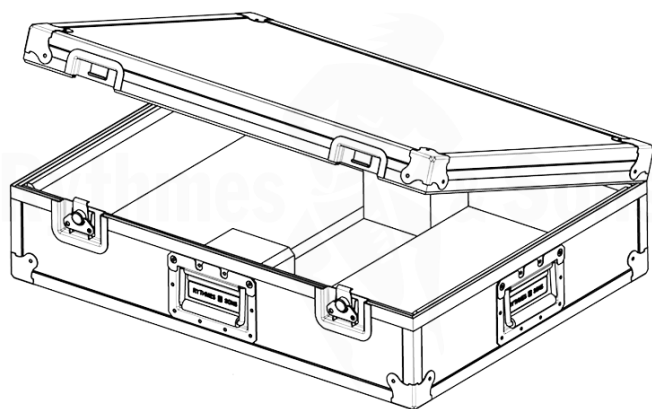


Flight cases / Event transport cases / Lighting equipment /
Flight cases for Special effects



MARTIN ATOMIC 3000 Flight case for strobes



CARACTÉRISTIQUES TECHNIQUES

Référence produit	FEE MA ATC3000
Poids net (kg)	11.50
Brand	RYTHMES & SONS (flight-cases)
Overall dimensions with wheels (mm)	750x570xH210
Type of Opening	
Material	6,5 mm birch plywood
Finishing	Phenolic coated
Color	Brown
Type of Latches	Small recessed padlocking butterfly latch with guided opening/closing mechanism
Number of Latche(s)	2
Lid stays	
Type of Handle	Steel Recessed flip handle(s) with double sprung
Number of Handle(s)	3
Feet	
Interior features	

FLIGHT CASE FOR 2 STROBES ATOMIC 3000 MARTIN

Product specifications and fittings

- > Suitcase-style configuration
- > Removable top lid
- > 6.5 mm BROWN phenolic faced birch plywood
- > 2 small recessed butterfly latches
- > 2 lid stays in dish on the back
- > 3 recessed flip handles with double sprung
- > 4 rubber feet

Interior features

- > Foam strip cushioning