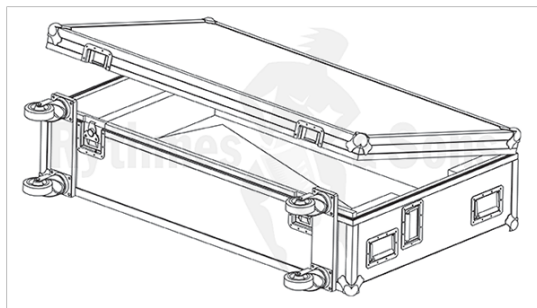


Percussion instruments / Flight cases & Hardcases for Instruments /
Flight cases for Keyboards

MUSSER M51 Flight case for folding xylophone



CARACTÉRISTIQUES TECHNIQUES

Référence produit	FPX MUM51 PA
Poids brut (kg)	44.00
Music instruments	Xylophone
Packed brand	MUSSER
Model	M51
Quantity per case	1
Overall dimensions with wheels (mm)	1450x1040xH375

FLIGHT CASE FOR FOLDING MUSSER M51 XYLOPHONE

- > Trunk-style configuration
- > Hinged top lid
- > 9 mm BROWN phenolic faced birch plywood
- > 2 large recessed butterfly latches with guided opening/closing mechanism
- > 2 lid stays in dish on the back
- > 6 recessed flip handles with double sprung
- > 4 swivel castors Ø100 (2 with brake) on plates on the side
- > Foam cushioning